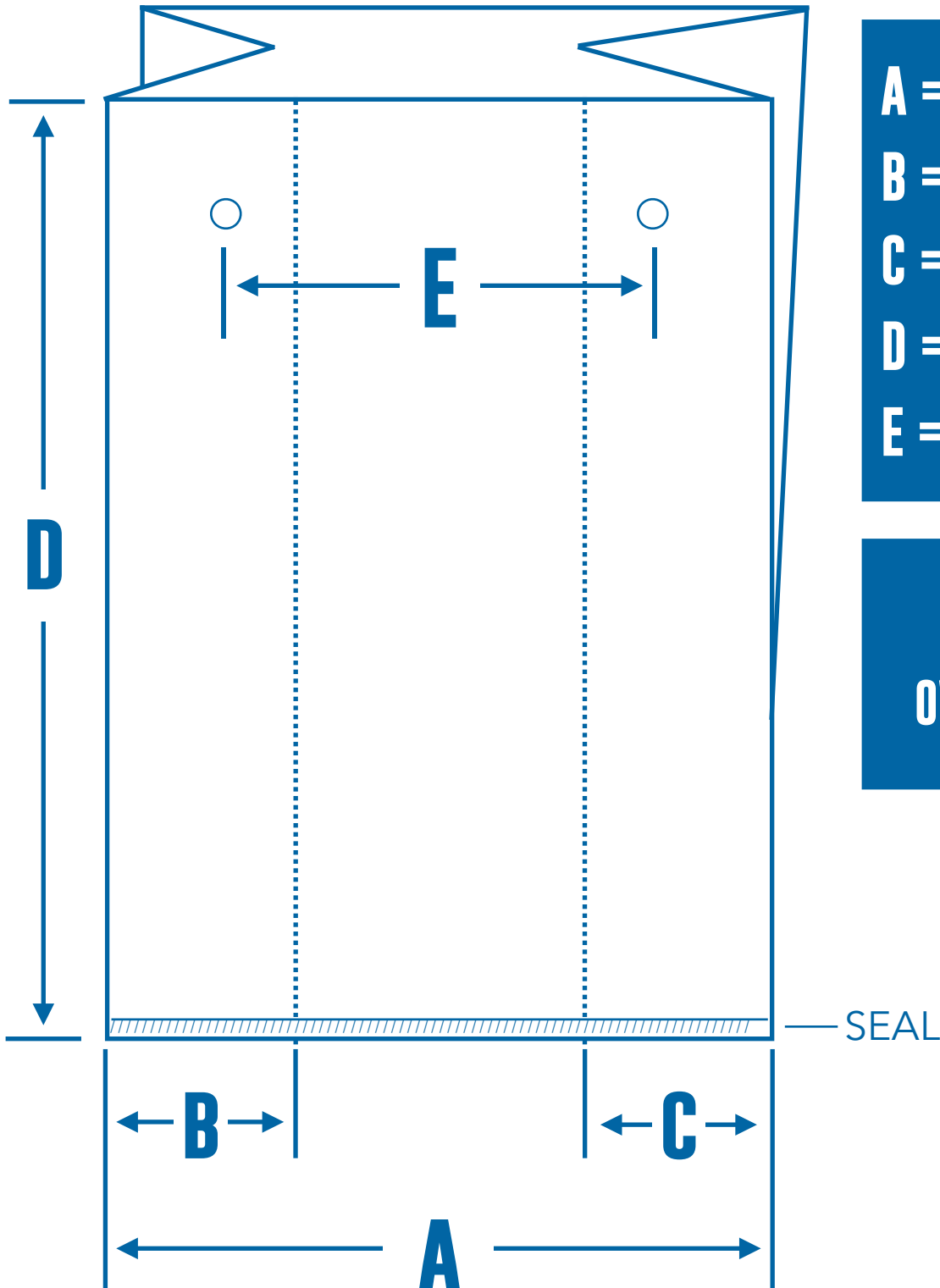


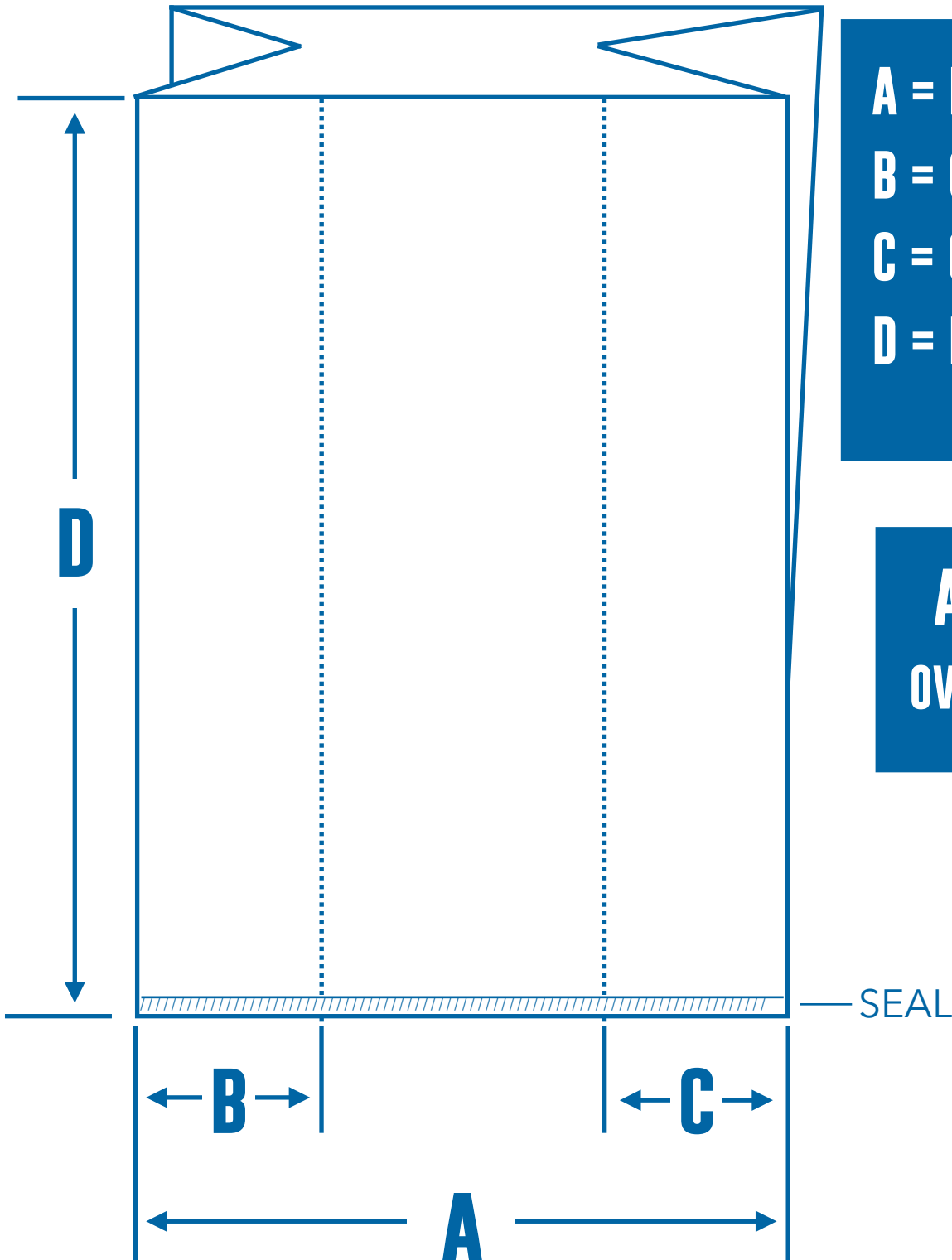
SIDE GUSSET BOTTOM SEAL WICKETED BAG



A = FACE WIDTH
B = GUSSET WIDTH
C = GUSSET WIDTH
D = LENGTH
E = WICKET HOLES

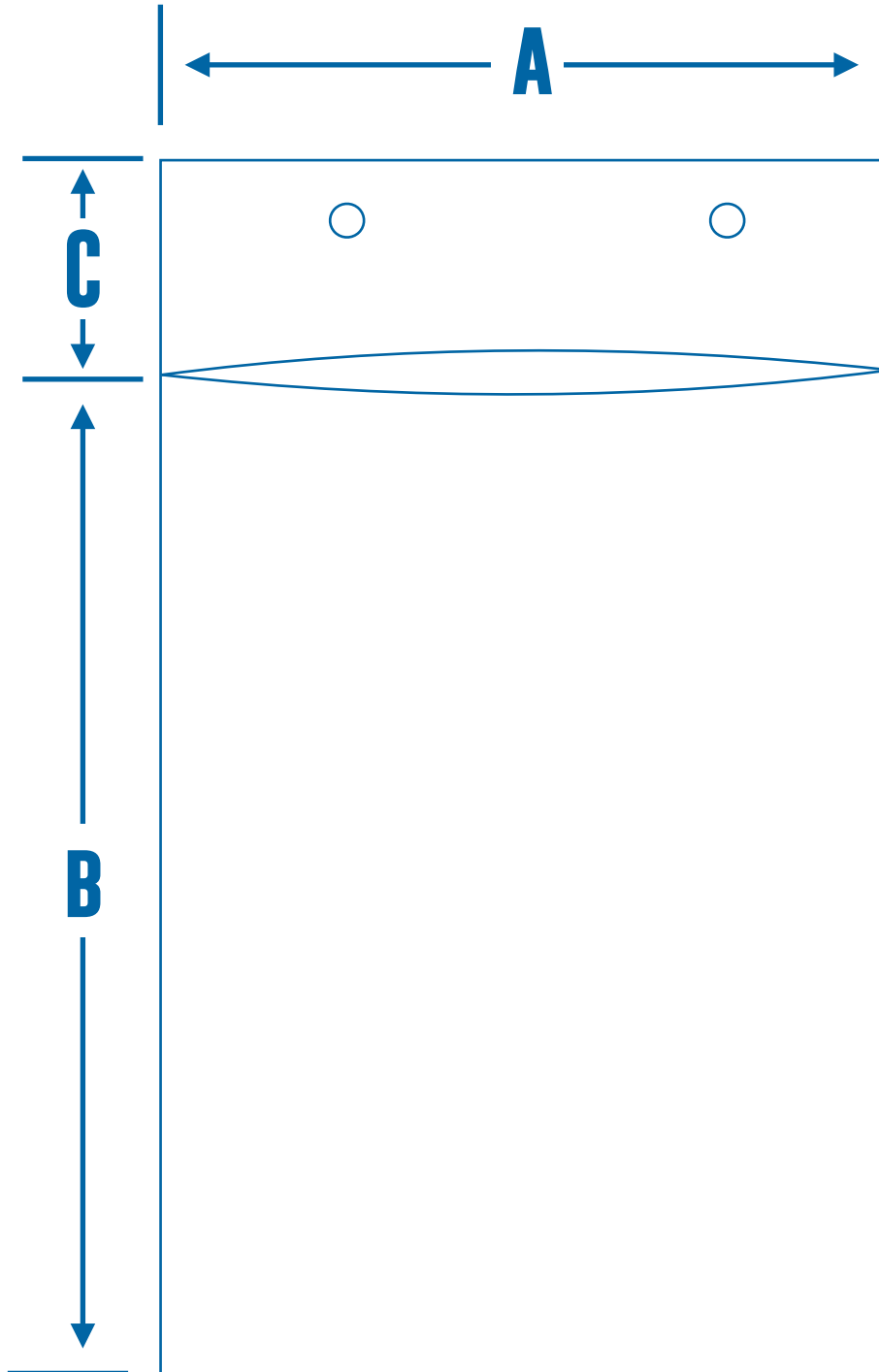
A + B + C =
OVERALL WIDTH

SIDE GUSSET BOTTOM SEAL BAG



A = FACE WIDTH
B = GUSSET WIDTH
C = GUSSET WIDTH
D = LENGTH

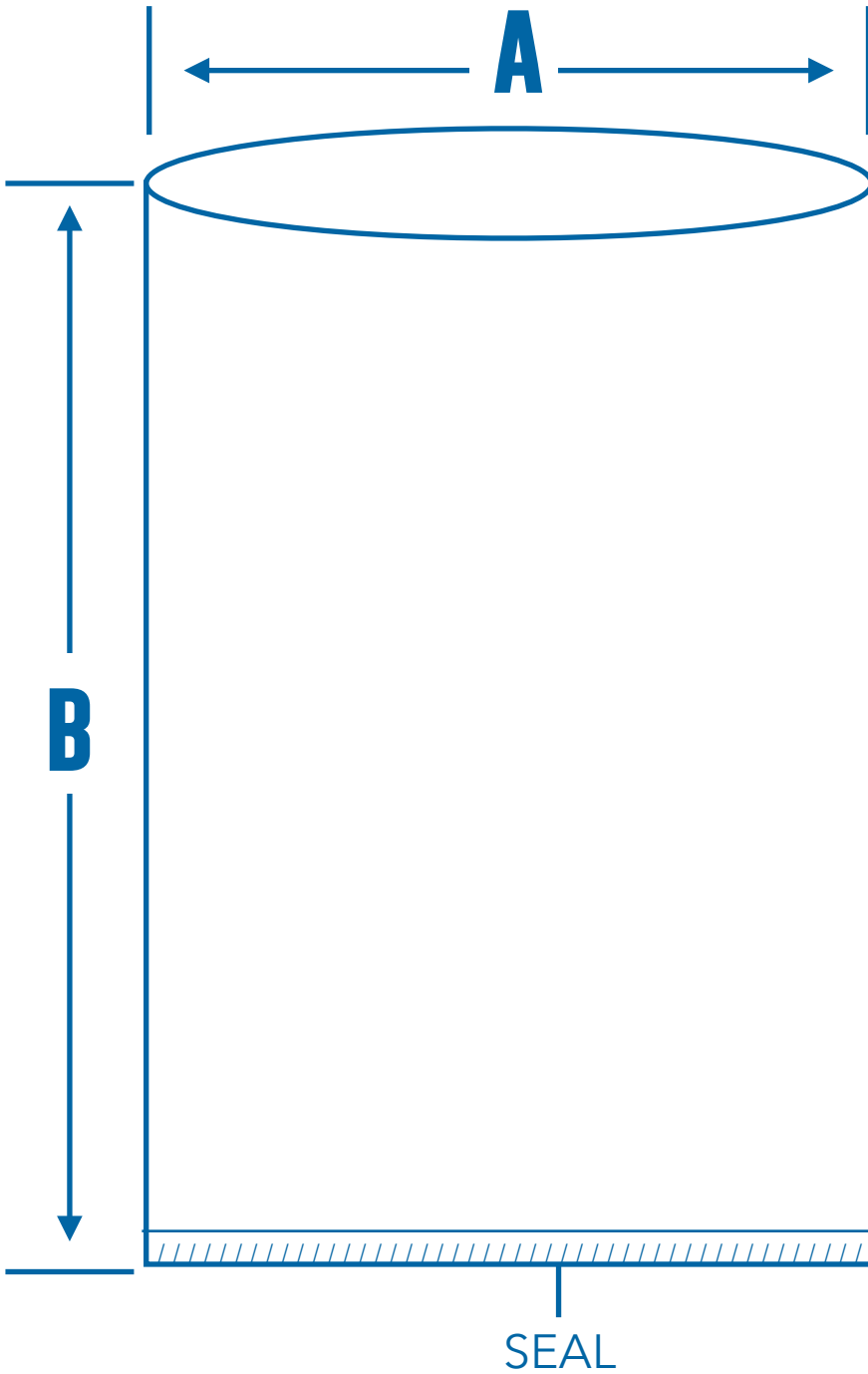
A + B + C =
OVERALL WIDTH



A = WIDTH

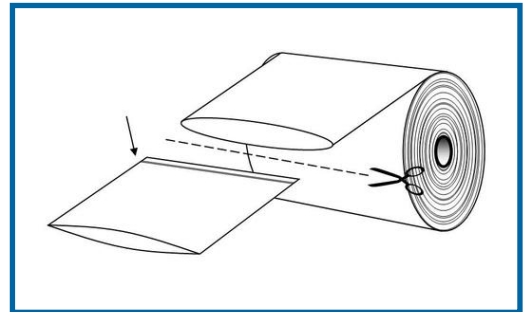
B = LENGTH

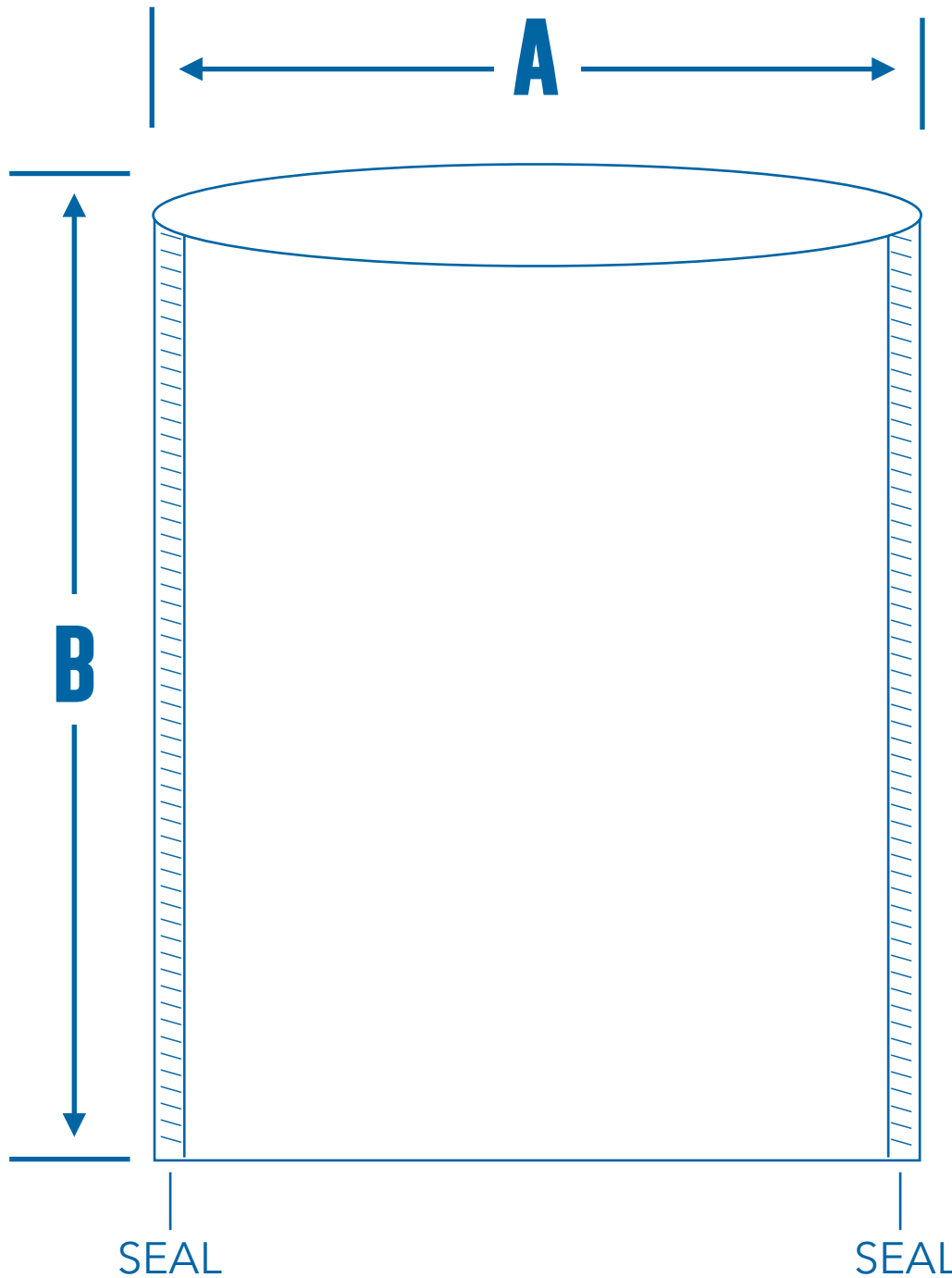
C = LIP



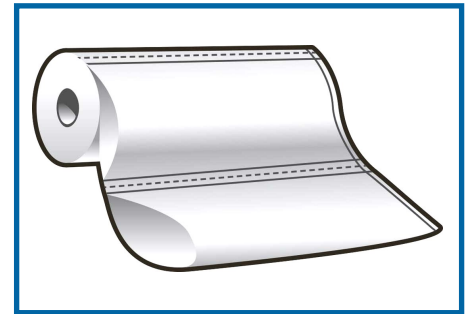
A = WIDTH

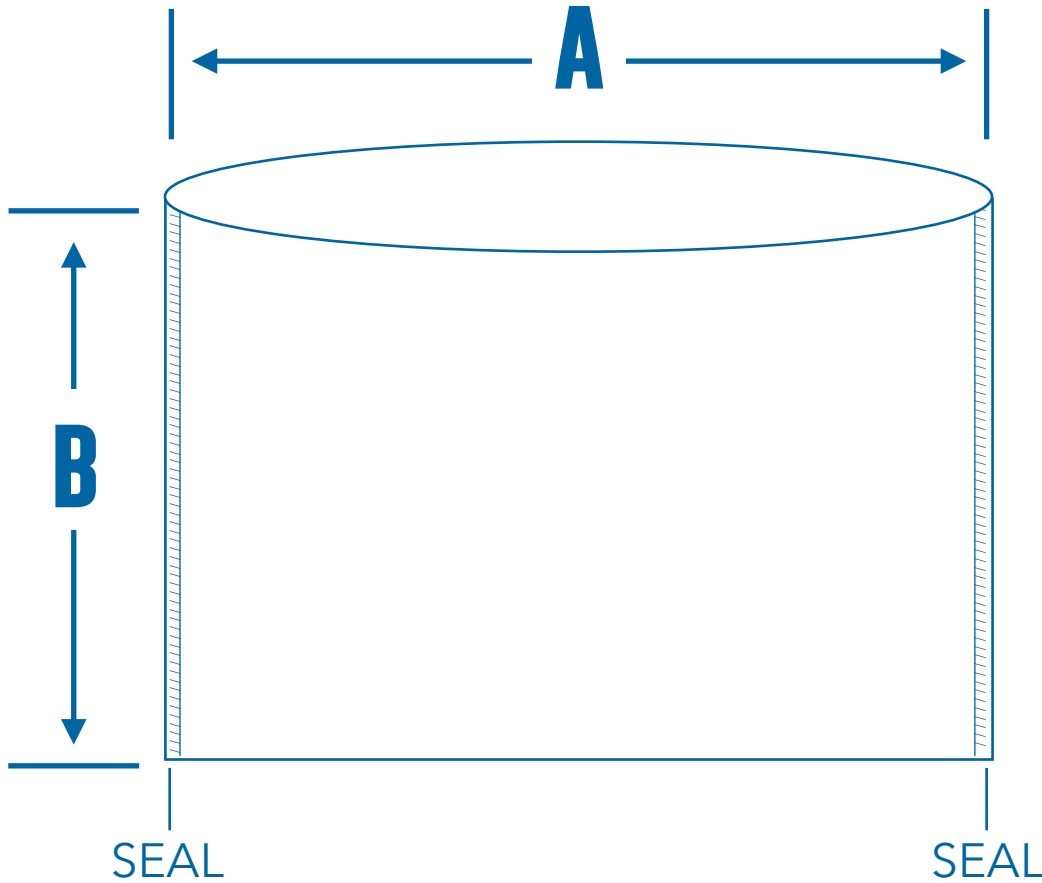
B = LENGTH





A = WIDTH
B = LENGTH





A = WIDTH
B = LENGTH

